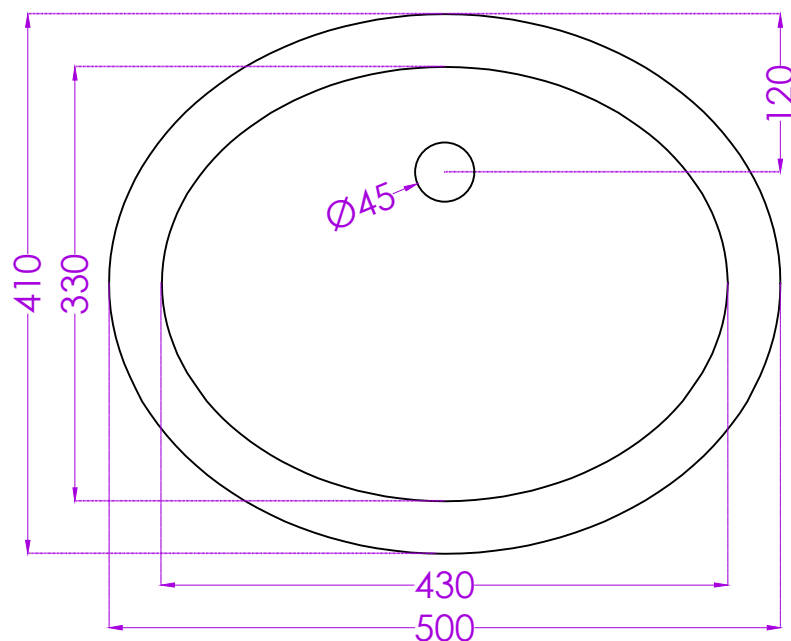


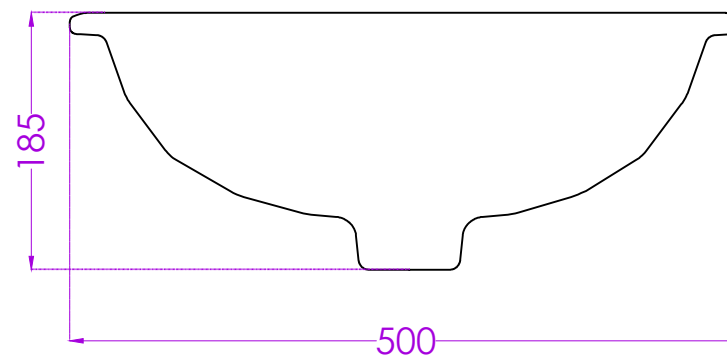
# RUBY P0413PW0003

UNDER COUNTER OVAL BASIN

# JOHNSON



PLAN



FRONT